



RDW60 WallWash

Specification Sheet



UL STD 1598
IP67

LUMINAIRE FEATURES

Design and Application

- Architectural and landscape lighting
- Medium interior lobby spaces
- Recessed floor installation
- Gravel, soil or concrete installation
- UL STD 1598, IP67, Wet location, drive over rated 1500 kg (3300lb)

Performance

- IK10, Tempered glass, crystal clear
- Aluminium construction fixture body
- Stainless Steel type 304 flange
- Snap in installation with no exposed hardware
- Lifetime TM-21 @85C L90(10k)>60500h
- Supplied with oil and water resistant 0.3m (1') feed cable as standard
- CRI: > 85
- 2 Step MacAdam

Safety

- Remote power supply
- Low voltage operation
- Recessed installation

Sustainability

- Recyclable material

Installation housing

- RD60C - Concrete
- RD60T - Tiles

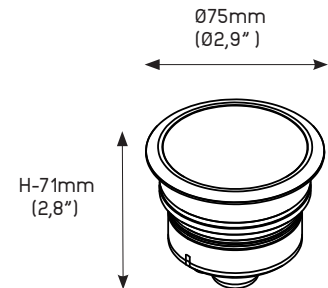
Accessories

- 104853 - Removal tool

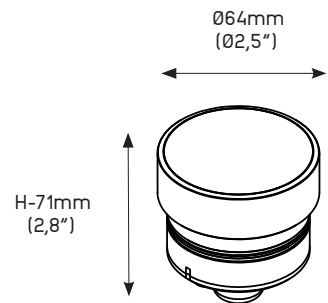
Power supplies

- List of proposed power supplies that are to be ordered separately.
- Click [here](#) for list of available drivers.
- Click [here](#) for voltage drop and distances.

Trim (TM)



Trimless (TS)



Click [here](#) to download fixture installation manual.
Click [here](#) to download housing installation manual.
Click [here](#) to download CAD file.
Click [here](#) to download IES-LTD data.



RDW60 WallWash

ORDERING INFORMATION

MODEL

FRDW60

INSTALATION

TM

- Trim (TM)

TS

- Trimless (TS)

POWER

H

- H - 6W, 2700K - 3000K, 109 lm

COLOR TEMP.

27

- 27 - 2700K

30

- 30 - 3000K

OPTICS

WW

- WW - Wallwash - 60°x40° tilt 20°

VOLTAGE

24

- 24 - 24 VDC fixture voltage

OPTIONS

3

- 3 - luminaire supplied with 3m (10') feed cable

6

- 6 - luminaire supplied with 6m (20') feed cable

9

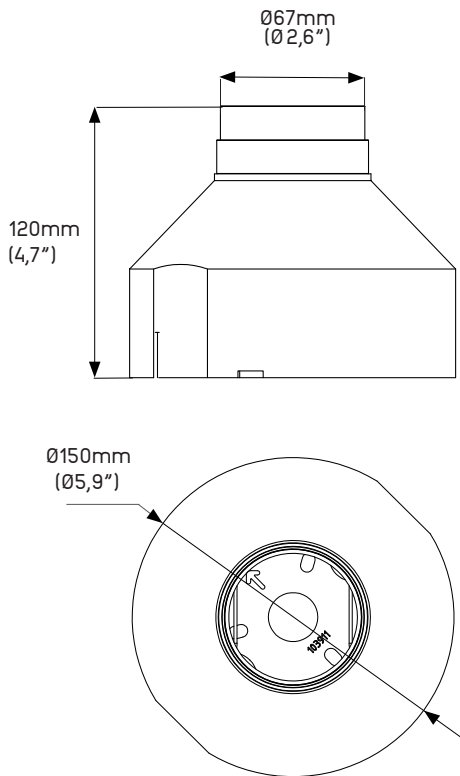
- 9 - luminaire supplied with 9m (30') feed cable



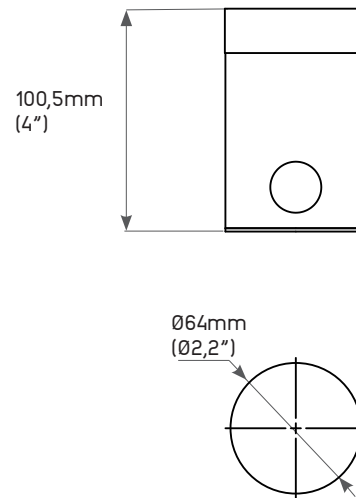
RDW60 WallWash

INSTALLATION DETAILS

Installation housing - RD60C - Concrete installation



Installation housing - RD60T - Tiles installation



Note:
For details on specific depths, tiling thickness and other please refer to both Installation instructions for fixture and housing.